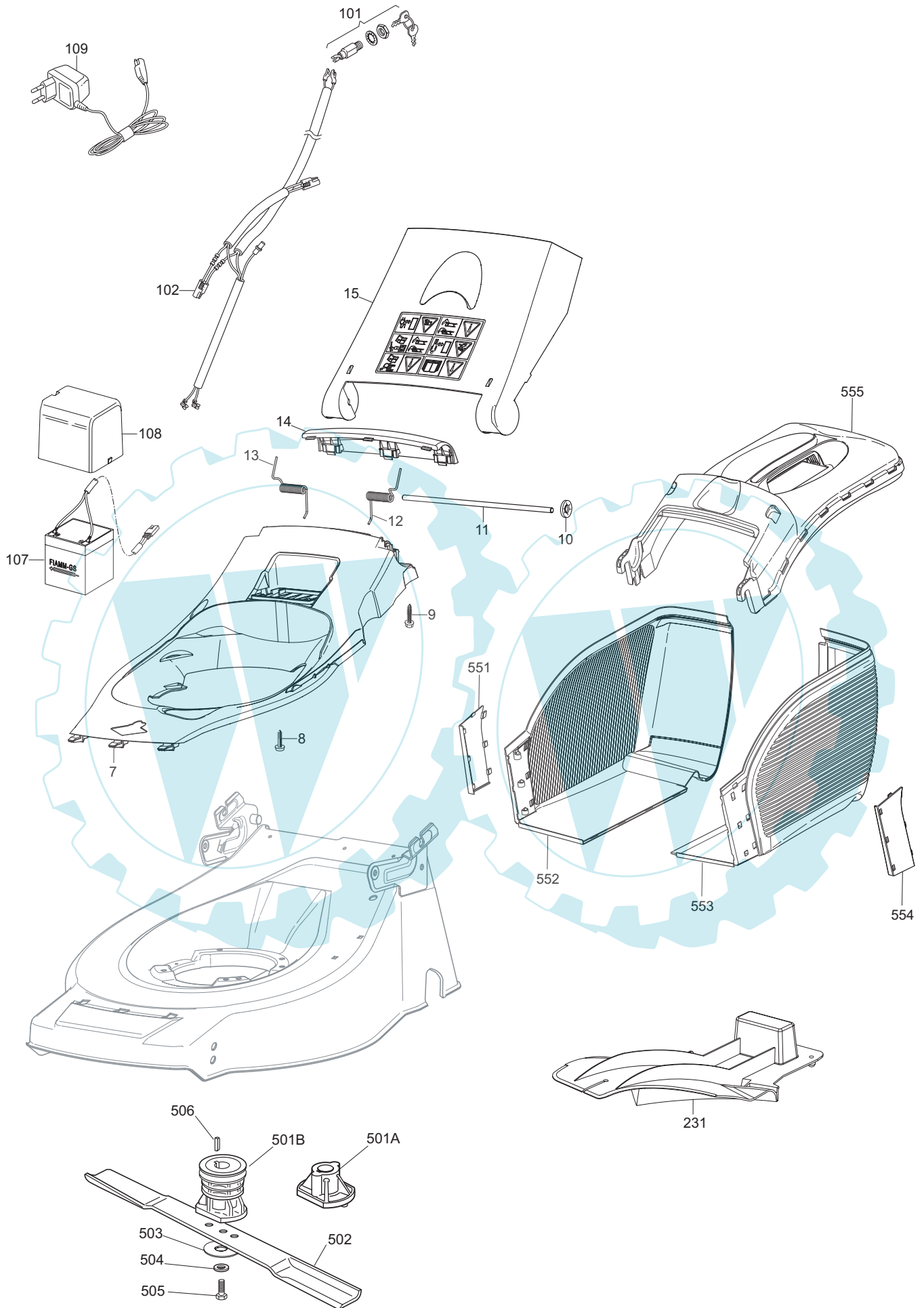


B105



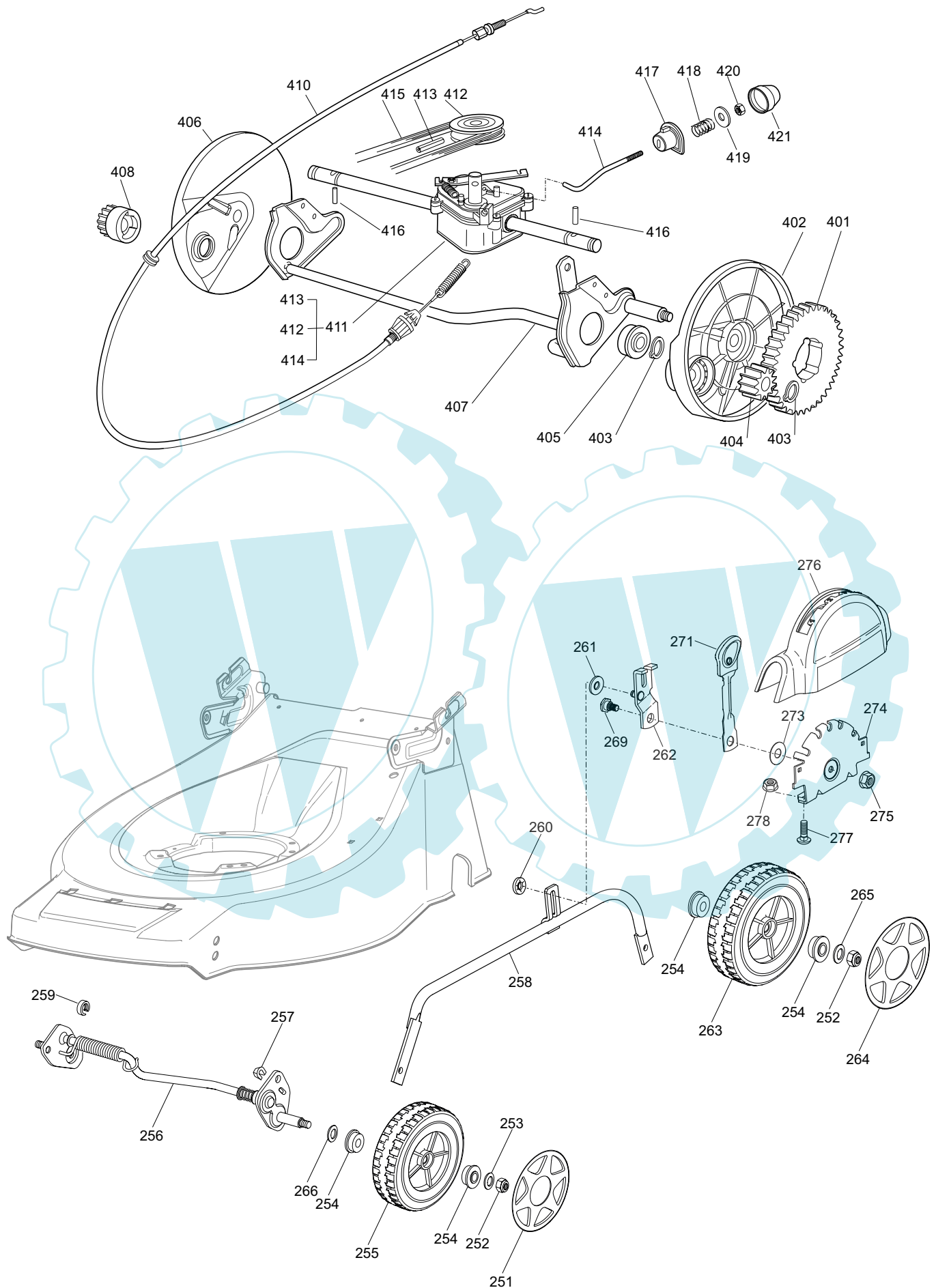
| Ausgabe Issue 2008- 52 | | Bild Nr Picture No B105 | | VARIOLUX 48 BC- 48 BCA- 48 BCAE CHASSIS HOLM | VARIOLUX 48 BC- 48 BCA- 48 BCAE CHASSIS HANDLE | Seite Page 36 | | |
|------------------------------|-----------------|-------------------------------|------------|---|---|--------------------------|-------------|--------------------|
| Pos. Fig. | Anzahl/Quantity | | | Artikel Nr. Part No | Bezeichnung | Description | Satz Kit | Anmerkung Notes |
| | 48 BC | 48 BCA | 48 BCAE | | | | | |
| 1 | 1 | 1 | 1 | 81002706/0 | Chassie..... | Chassis | | |
| 2 | 3 | 3 | 3 | 12728530/0 | Schraube | Screw | | |
| 3 | 1 | 1 | 1 | 22060198/0 | Riemenschutz..... | Belt protection..... | | |
| 4 | | 4 | 4 | 12731350/0 | Schraube | Screw | | |
| 5 | | 2 | 2 | 22545152/0 | Platte | Plate | | |
| 6 | 1 | 1 | 1 | 22291150/0 | Gummieinsatz..... | Rubber insert | | |
| 16 | 2 | 2 | 2 | 18566110/0 | Propfen..... | Cap..... | | |
| 17 | 1 | 1 | 1 | 81006649/0 | Holm- Unterteil | Handle- lower | | |
| 18 | 1 | 1 | 1 | 81006659/0 | Holmrohr | Handle tube | | |
| 19 | 1 | 1 | 1 | 81006655/0 | Holm- Oberteil | Handle- upper..... | | |
| 20 | 1 | 1 | 1 | 122291058/1 | Handgriff | Handgrip | | |
| 21 | 2 | 2 | 2 | 22524334/0 | Bolzen..... | Pin | | |
| 22 | 2 | 2 | 2 | 12604899/0 | Schloßscheibe | Lock washer..... | | |
| 23 | 4 | 4 | 4 | 81003250/0 | Sperrhebel | Handle block lever | | |
| 24 | 4 | 4 | 4 | 22680011/0 | Scheibe..... | Washer | | |
| 25 | 4 | 4 | 4 | 25670011/0 | Scheibe..... | Washer..... | | |
| 26 | 4 | 4 | 4 | 22399816/0 | Schloßrad | Locking knob | | |
| 27 | 4 | 4 | 4 | 12293200/0 | Mutter..... | Nut | | |
| 28 | 2 | 2 | 2 | 22820067/1 | Propfen..... | Cap..... | | |
| 29 | 2 | 2 | 2 | 22245061/0 | Ringmutter- innere..... | Ring nut- internal | | |
| 30 | 2 | 2 | 2 | 22245060/0 | Ringmutter- äußere..... | Ring nut- external..... | | |
| 31 | 3 | 3 | 3 | 12728701/0 | Schraube | Screw | | |
| 32 | 1 | 1 | 1 | 22393613/0 | Holmdeckel- untere..... | Handle cover-lower | | |
| 33 | 1 | 1 | 1 | 22393612/0 | Holmdeckel- obere..... | Handle cover-upper | | |
| 34 | 1 | 1 | 1 | 81006651/0 | Holmrohr- R..... | Handle tube- RH..... | | |
| 35 | | 3 | 2 | 12793701/0 | Schraube | Screw | | |
| 36 | | 3 | 2 | 12293201/0 | Mutter..... | Nut | | |
| 37 | | | 0/1 | 12691800/0 | Schraube | Screw | | |
| 37 | 3 | | | 12793701/0 | Schraube | Screw | | |
| 38 | 2 | | 1 | 12521350/0 | Scheibe..... | Washer | | |
| 39 | | | 0/1 | 12155000/0 | Mutter..... | Nut | | |
| 39 | 3 | | | 12293201/0 | Mutter..... | Nut | | |
| 40 | 1 | 1 | 1 | 22430315/1 | Seilführer | Rope guide | | |
| 41 | 1 | 1 | | 81000711/0 | Motorbremsdraht | Engine brake cable | | |
| 41 | | | 1 | 81000712/0 | Motorbremsdraht | Engine brake cable | | |
| 42 | 1 | 1 | 1 | 22430309/0 | Seilführer | Rope guide | | |
| 43 | 1 | 1 | 1 | 12154330/0 | Mutter..... | Nut | | |
| 45 | 1 | 1 | 1 | 12521340/0 | Scheibe..... | Washer | | |
| 46 | 1 | 1 | 1 | 12728640/0 | Schraube | Screw | | |
| 47 | 1 | 1 | 1 | 22820068/0 | Deckel | Cap..... | | |
| 51 | 6 | 6 | 6 | 12728701/0 | Schraube | Screw | | |
| 52 | 1 | 1 | 1 | 22283004/0 | Schutz | Protection | | |
| 53 | 1 | 1 | 1 | 22785190/0 | Stütz | Support | | |
| 54 | 1 | 2 | 2 | 22785191/0 | Stütz | Support | | |
| 55 | 2 | 4 | 4 | 12728687/0 | Schraube | Screw | | |
| 56 | 1 | 1 | 1 | 22321707/0 | Regulierhebel..... | Control lever | | |
| 57 | 1 | 1 | 1 | 22283006/0 | Schutz | Protection | | |
| 58 | 2 | 2 | 2 | 22109538/0 | Deckel..... | Cap..... | | |
| 59 | 2 | 2 | 2 | 22557153/0 | Deckel..... | Plate | | |
| 60 | | 1 | 1 | 22321709/0 | Regulierbügel | Control lever | | |
| 63 | 1 | 1 | 1 | 22785189/0 | Stütz | Support | | |
| 103 | 1 | 1 | | 22283007/0 | Schutz | Protection | | |
| 103 | | | 1 | 22283009/0 | Schutz | Protection | | |
| 104 | 1 | 1 | 1 | 22283005/0 | Schutz | Protection | | |
| 105 | 2 | 2 | 2 | 22109538/0 | Deckel..... | Cap..... | | |
| 106 | 4 | 4 | 4 | 12728701/0 | Schraube | Screw | | |
| 111 | 1 | 1 | 1 | 81008667/0 | Schraubensatz | Screw set | | |



B106



| Ausgabe Issue | | Bild Nr Picture No | | VARIOLUX 48 BC- 48 BCA- 48 BCAE | | VARIOLUX 48 BC- 48 BCA- 48 BCAE | | Seite Page | |
|------------------|-----------------|-----------------------|------------|------------------------------------|---------------------------|------------------------------------|-------------|--------------------|--|
| 2008- 52 | | B106 | | MESSER GRASKORB | | BLADE GRASSBOX | | 38 | |
| Pos. Fig. | Anzahl/Quantity | | | Artikel Nr. Part No | Bezeichnung | Description | Satz Kit | Anmerkung Notes | |
| | 48 BC | 48 BCA | 48 BCAE | | | | | | |
| 7 | 1 | 1 | | 22109715/0 | Haube | Cover | | | |
| 7 | | | 1 | 22109716/0 | Haube | Cover | | | |
| 8 | 2 | 2 | 2 | 12728688/0 | Schraube | Screw | | | |
| 9 | 3 | 3 | 3 | 12731600/1 | Schraube | Screw | | | |
| 10 | 2 | 2 | 2 | 12604899/0 | Schloßscheibe | Lock washer | | | |
| 11 | 1 | 1 | 1 | 22517859/0 | Stange | Rod | | | |
| 12 | 1 | 1 | 1 | 22450421/0 | Feder- L | Spring- LH | | | |
| 13 | 1 | 1 | 1 | 22450422/0 | Feder- R | Spring- RH | | | |
| 14 | 1 | 1 | 1 | 22109719/0 | Halter | Support | | | |
| 15 | 1 | 1 | 1 | 22600133/0 | Prallblech | Stone guard | | | |
| 101 | | | 1 | 18450050/0 | Schalter | Switch | | | |
| 102 | | | 1 | 18204196/0 | Kabelbündel | Harness | | | |
| 107 | | | 1 | 18120052/0 | Batterie | Battery | | | |
| 108 | | | 1 | 22109530/0 | Deckel | Cover | | | |
| 109 | | | 1 | 18204120/0 | Ladegerät | Battery charger | | | |
| 231 | 1 | 1 | 1 | 22140223/0 | Mulch Deflektor | Mulch plug | | | |
| 501 A | 1 | | | 1111- 9743- 01 | Nabe | Hub | | | |
| 501 B | | 1 | 1 | 1111- 9744- 01 | Nabe m. Scheibe | Hub w. pulley | | | |
| 502 | 1 | 1 | 1 | 1111- 9741- 01 | Messer | Blade | | | |
| 503 | 1 | 1 | 1 | 22160400/0 | Scheibe | Elastic washer | | | |
| 504 | 1 | 1 | 1 | 12523080/0 | Scheibe | Washer | | | |
| 505 | 1 | 1 | 1 | 12735698/0 | Schraube | Screw | | | |
| 506 | 1 | 1 | 1 | 12139100/0 | Keil | Key | | | |
| 551 | 1 | 1 | 1 | 22486156/0 | Profil- R | Profile- RH | | | |
| 552 | 1 | 1 | 1 | 22486154/0 | Graskorb- untere, R | Grass box- lower, RH | | | |
| 553 | 1 | 1 | 1 | 22486155/0 | Graskorb- untere, L | Grass box- lower, LH | | | |
| 554 | 1 | 1 | 1 | 22486157/0 | Profil- L | Profile- LH | | | |
| 555 | 1 | 1 | 1 | 22486153/0 | Graskorb- Oberteil | Grass box- upper | | | |



B103



| Ausgabe Issue | Bild Nr Picture No | VARIOLUX 48 BCA- 48 BCAE GETRIEBE RADAUFHÄNGUNG | VARIOLUX 48 BCA- 48 BCAE TRANSMISSION WHEEL SUSPENSION | Seite Page | | | | | |
|------------------|-----------------------|--|---|---------------|------------------------|---------------------------|----------------------------|-------------|--------------------|
| 2008- 52 | B103 | | | 42 | | | | | |
| Pos. Fig. | Anzahl/Quantity | | | | Artikel Nr. Part No | Bezeichnung | Description | Satz Kit | Anmerkung Notes |
| | 48 BCA BCAE | | | | | | | | |
| 251 | 2 | | | | 22110409/0 | Radkappe..... | Hub cap..... | | |
| 252 | 4 | | | | 12155000/0 | Mutter..... | Nut..... | | |
| 253 | 2 | | | | 12521350/0 | Scheibe..... | Washer..... | | |
| 254 | 8 | | | | 22122200/0 | Kugellager | Ball bearing | | |
| 255 | 2 | | | | 81007351/0 | Rad..... | Wheel..... | | |
| 256 | 1 | | | | 81000141/1 | Radachse- vorne..... | Wheel axle- front..... | | |
| 257 | 2 | | | | 12436050/0 | Platte | Plate..... | | |
| 258 | 1 | | | | 81006491/0 | Höhenverstellstange | Height adjust rod | | |
| 259 | 1 | | | | 22171002/0 | Distanz..... | Spacer..... | | |
| 260 | 1 | | | | 12604896/0 | Schloßscheibe | Lock washer..... | | |
| 261 | 1 | | | | 12369500/0 | Scheibe..... | Washer..... | | |
| 262 | 1 | | | | 81005121/0 | Halter..... | Attachment..... | | |
| 263 | 2 | | | | 81007343/0 | Rad..... | Wheel..... | | |
| 264 | 2 | | | | 22110410/0 | Radkappe..... | Hub cap..... | | |
| 265 | 2 | | | | 12369500/0 | Scheibe..... | Washer..... | | |
| 266 | 2 | | | | 12530150/0 | Scheibe..... | Washer..... | | |
| 269 | 1 | | | | 22524333/0 | Bolzen..... | Bolt..... | | |
| 271 | 1 | | | | 81003321/0 | Höhenverstellhebel | Height adjust lever | | |
| 273 | 1 | | | | 22672152/0 | Scheibe..... | Washer..... | | |
| 274 | 1 | | | | 22735571/1 | Höhenverstellsektor..... | Height adjust sector | | |
| 275 | 1 | | | | 12154210/0 | Mutter..... | Nut..... | | |
| 276 | 1 | | | | 22109714/0 | Deckel..... | Cover | | |
| 277 | 2 | | | | 12815200/0 | Schraube | Screw..... | | |
| 278 | 2 | | | | 12292102/0 | Mutter..... | Nut..... | | |
| 401 | 2 | | | | 22120105/1 | Kranz..... | Ring gear | | |
| 402 | 1 | | | | 22600093/0 | Radschutz..... | Wheel cover | | |
| 403 | 4 | | | | 12608600/0 | Seegerring | Seegerring | | |
| 404 | 1 | | | | 22570120/1 | Ritzel- links..... | Pinion- LH..... | | |
| 405 | 2 | | | | 19216035/0 | Lager | Bearing..... | | |
| 406 | 1 | | | | 22600092/0 | Radschutz..... | Wheel cover | | |
| 407 | 1 | | | | 81000147/0 | Hinterradachse | Rear axle..... | | |
| 408 | 1 | | | | 22570110/1 | Ritzel- rechts..... | Pinion- RH..... | | |
| 410 | 1 | | | | 81000710/0 | Kupplungsdraht..... | Clutch cable | | |
| 411 | 1 | | | | 81003076/0 | Getriebe (schw)..... | Transmission (black)..... | | |
| 412 | 1 | | | | 22601904/0 | • Riemenscheibe | • Belt pulley | | |
| 413 | 1 | | | | 12645705/0 | • Stift..... | • Pin..... | | |
| 414 | 1 | | | | 22033283/0 | • Verstellstange | • Adjustment rod | | |
| 415 | 1 | | | | 1111- 9745- 01 | Riemen..... | Belt..... | | |
| 416 | 2 | | | | 22753000/0 | Stift..... | Pin..... | | |
| 417 | 1 | | | | 22041957/1 | Bush..... | Bush..... | | |
| 418 | 1 | | | | 22450063/0 | Feder | Spring | | |
| 419 | 1 | | | | 22680009/0 | Scheibe..... | Washer..... | | |
| 420 | 1 | | | | 12154510/0 | Mutter..... | Nut..... | | |
| 421 | 1 | | | | 22110230/0 | Kappe | Cap..... | | |

Inkl. 412 - 414